

## Three-phase Toroidal Transformers T3S:

Three-phase transformer, based on toroidal cores, made in class I insulation and protection class IP-00, in accordance with EN 61558. Ambient temperature 40°C, insulation class B (130°C).

General purpose transformers in industrial and power installations with full galvanic separation between primary and secondary windings. The use of toroidal cores ensures maximum efficiency, low mechanical hum, low magnetic field and off-load losses and compact dimensions.

Transformers can be made according to the recipient's specification (any PRI and SEC voltages) and equipped with the following elements:

- magnetic and static shielding
- thermal protection
- inrush current limiter

Connection:

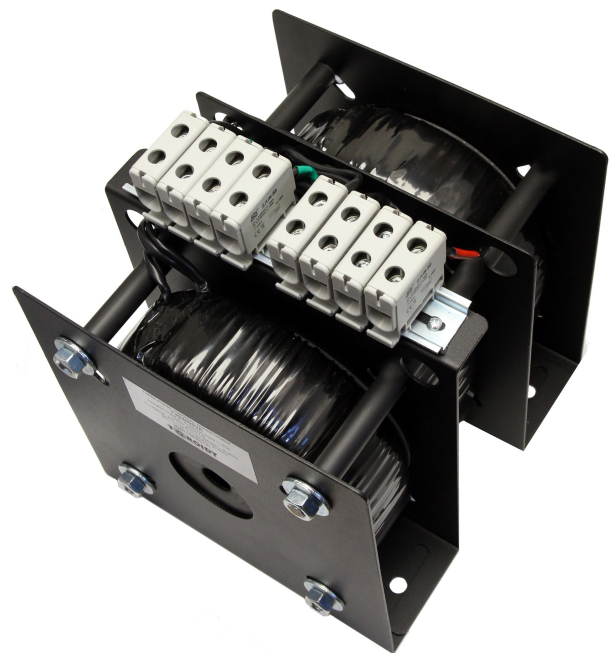
- screw terminals 2,5 – 50mm<sup>2</sup>
- plug / socket
- ... others

## Technical detail:

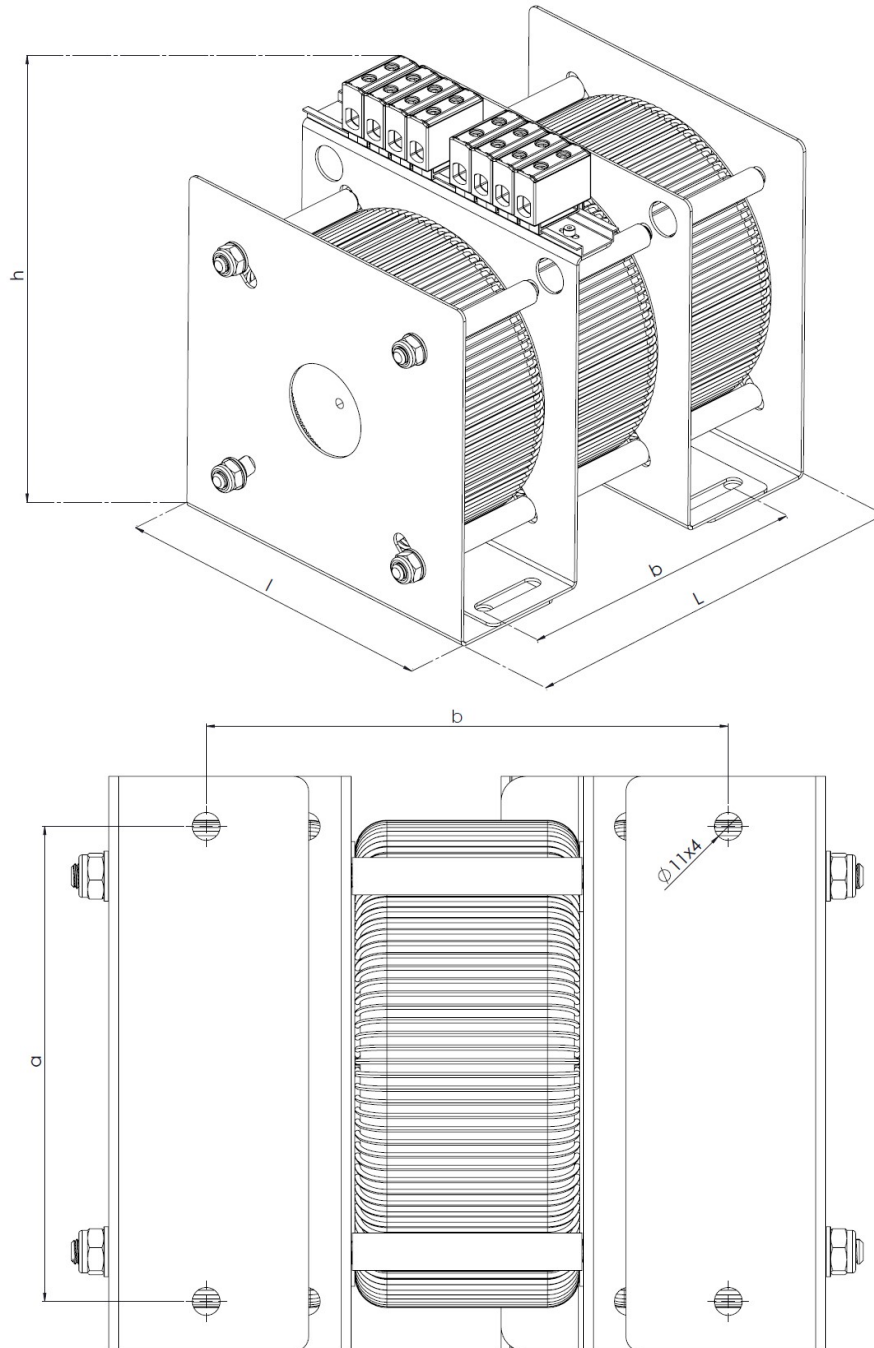
Nominal power:	1 – 25kVA
Primary voltage PRI:	100 – 500V
Nominal frequency:	50 – 60Hz
Secondary voltage SEC:	24 – 1000V

Protection / insulation class:	I / B (130°C)
Ambient temperature	40°C
Protection degree	IP-00
PRI/SEC Insulation	4kVAC (RMS)

Typical efficiency (depends on nominal power)	95% - 99%
Vector group	Dyn5 - standardowo; Yy0; Dd0; Yd5; Dyn11



**Drawings / Dimensions / Weights:**



Nominal Power [VA]	l [mm]	L [+/- 2 mm]	h [mm]	a [mm]	b [+/- 2 mm]	Weight [kg]
1 300	235	221	275	190	143	24,50
2 000	235	230	275	190	152	26,00
2 500	235	227	275	190	149	31,40
3 500	235	233	275	190	155	33,50
4 000	235	239	275	190	161	36,50
5 000	270	254	315	230	164	51,00
6 500	270	260	315	230	170	57,00
8 000	270	278	315	230	188	61,50
10 000	270	293	315	230	203	64,50
12 000	310	398	355	270	228	80,00
16 000	310	413	355	270	243	83,60
25 000	310	458	355	270	288	104,00